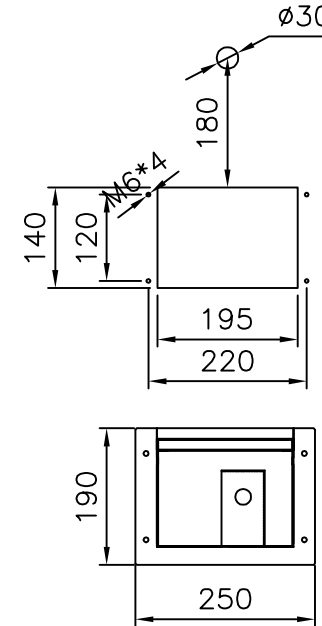


설치부 가공도



*오일스키머 본체 steel제작 (분체소부도장) 또는 SUS304제작
 *전원업체선정 (220V단상 / 220V삼상 / 380-440V)

THIS DRAWING CONTAINS PROPRIETARY AND CONFIDENTIAL INFORMATION OF PKG AND SHOULD BE MAINTAINED IN STRICT CONFIDENCE. DO NOT COPY OR TRANSFER TO ANY PARTY.			BY	DATE	 www.skimmer.co.kr TEL : 031-366-4262 FAX : 031-366-4263 경기도 화성시 향남읍 한두골길 82	SCALE	TITLE	CUSTOMER	PROJECT NO.	
REV	DATE	DESCRIPTION	DWG	S.J.W				오일스키머 SDB100(양원스크레퍼형)	PROJECT NAME	DRAWING NO.
			CHK'D							
			APPR'D							

A3(420x297)